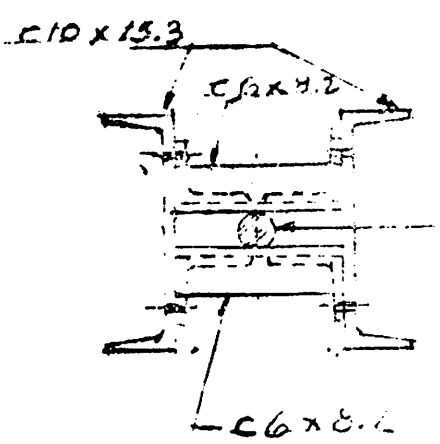
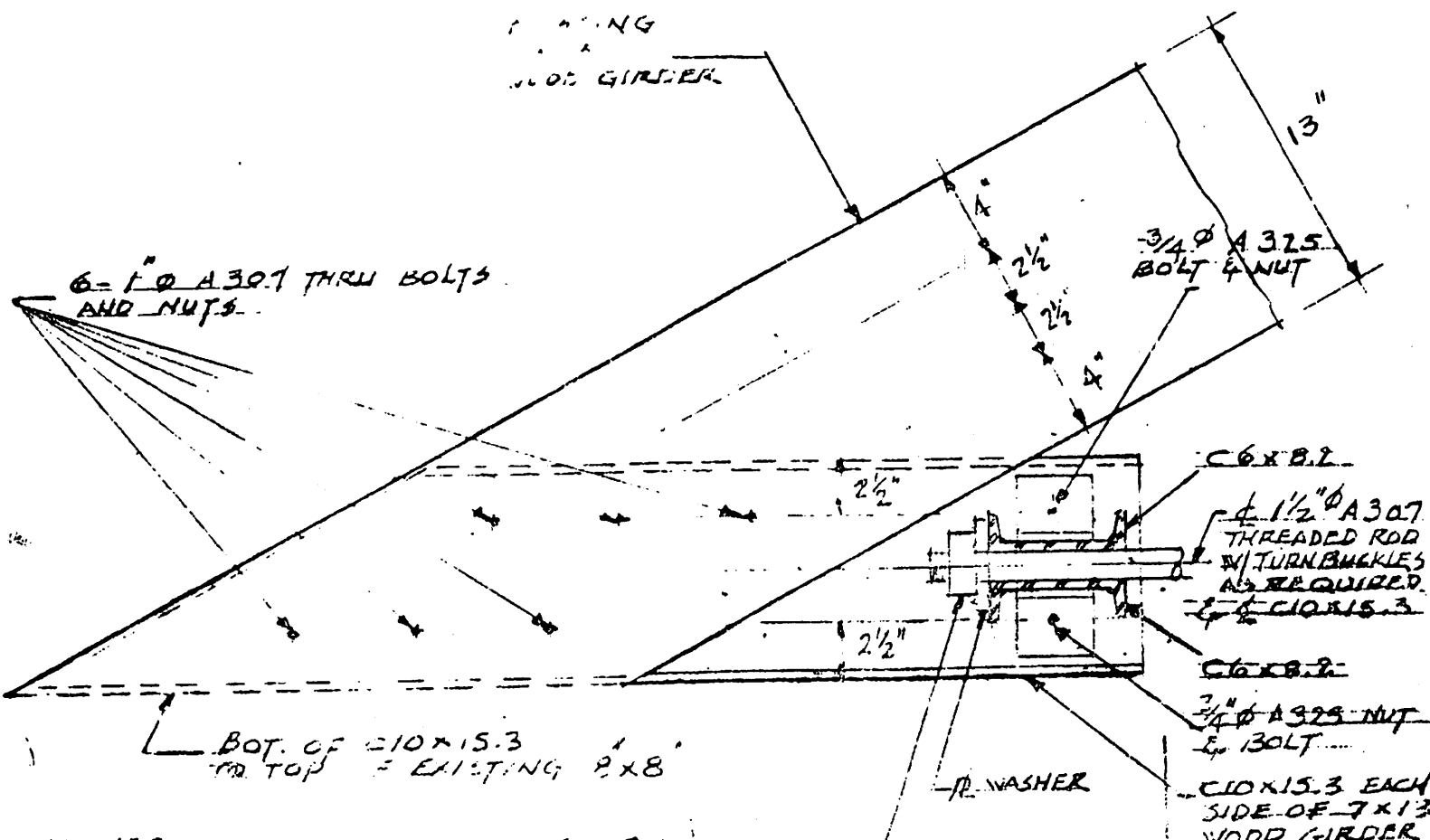
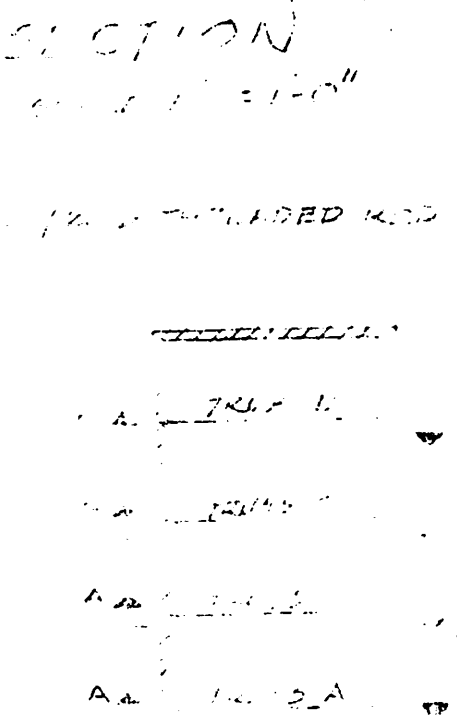


SECTION "B" scale 1/2" = 1'-0"

TRUSS TIE ROD DETAILS	
STERLING TOWN HALL STERLING, MASS.	DATE AUG 1987
HARVEY & TRACY WORCESTER, MASS.	SHEET NO. SK2



SECTION "C"
SCALE 1/2" = 1'-0"



SECTION "A"
SCALE 1/2" = 1'-0"

ALL STRUCTURAL STEEL SHALL BE A-36
 TRUSS TIE ROD DETAILS
 STERLING TOWN HALL
 STERLING MASS. 198

HARVEY & TRACY
 ARCHITECTS
 SHEET NO. SK